



# Y-008

## Digital HDTV Signal Amplifier User's Guide

### TECHNICAL PARAMETERS

Operation Frequency: VHF47-230MHz  
UHF470-860MHz

Gain: VHF 17dB UHF 15dB

Impedance: 75 ohm

Noise figure: 1dB

VSWR: <1.5

Power supply: DC5-12V/30mA

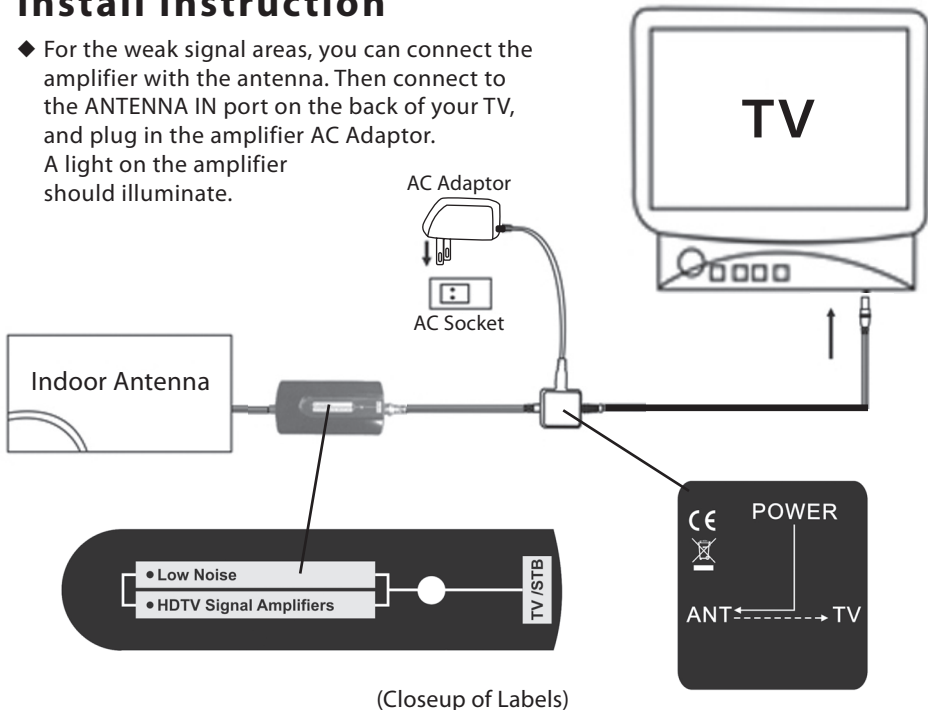
### Product Photo:



Y-008 amplifier

### Install Instruction

- ◆ For the weak signal areas, you can connect the amplifier with the antenna. Then connect to the ANTENNA IN port on the back of your TV, and plug in the amplifier AC Adaptor. A light on the amplifier should illuminate.



(Closeup of Labels)