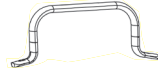


POWER SMOKELESS GRILL™

Lid Handle Assembly

1. Place the preassembled Handle on the Glass Lid. Guide the Screws through the holes in the Handle and the Lid.
2. With the raised side of the Plastic Washer facing the Lid, slide one Plastic Washer onto the Screw thread on the bottom of the Lid.
3. Slide one Metal Washer onto the Screw thread on the bottom of the Lid.
4. Screw a Nut onto the end of the Screw tight enough to keep the Screw in place but loose enough to adjust the Handle.
5. Repeat steps 2–4 for the second Screw.
6. Fully tighten both Screws, being careful not to overtighten to avoid damaging the glass.

1. Handle



2. Screws (x2)



3. Plastic Washer (x2)



4. Glass Lid



5. Metal Washers (x2)

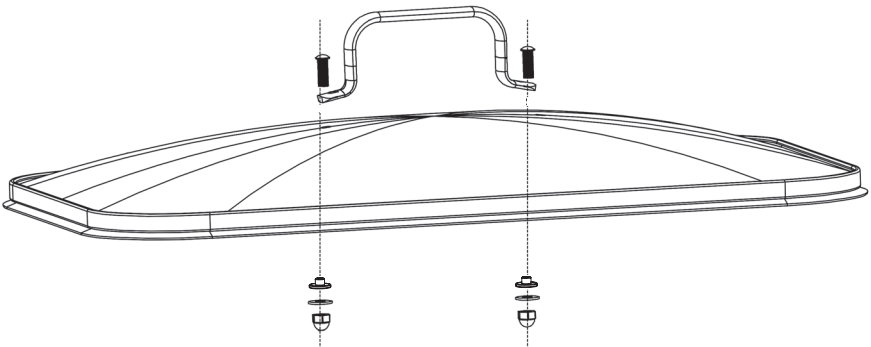


6. Nuts (x2)



NOTE: You may need pliers or an adjustable wrench to tighten the screws.

TIP: If you are having difficulty threading the Nut onto the Screw, remove the Metal Washer and rethread the Nut onto the Screw.



Caution

The Glass Lid and Handle get very hot. Always use oven mitts.

Distributed by:
Tristar Products, Inc.
Fairfield, NJ 07004
© 2019 Tristar Products, Inc.

Made in China
PSG_INSERT_TP_ENG_V5_190208